



MEDIUM EXCAVATOR RANGE

SY265C

- » Reliable first-class components
- » Lower fuel consumption
- » Simplified service



SANY

SY265C - TIER 4F / EU STAGE IV

 **OPERATING WEIGHT:**

25500 kg

 **ENGINE MODEL:**

Cummins QSB6.7

 **WARRANTY:**

5 Year / 5,000 Hour

SY265C DIMENSIONS & SPECIFICATIONS

OVERALL DIMENSIONS

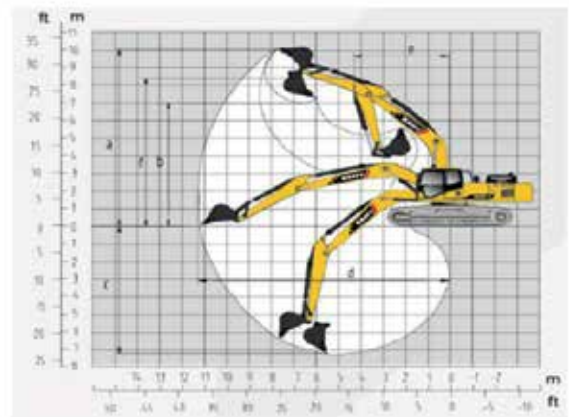
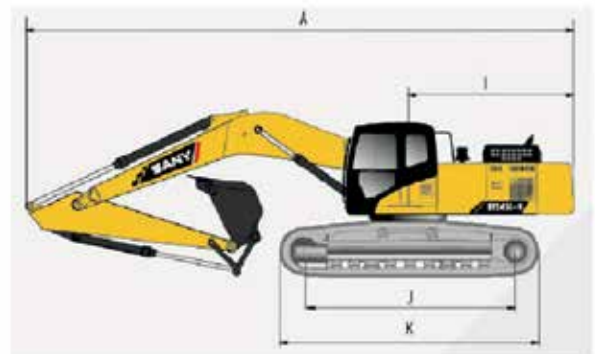
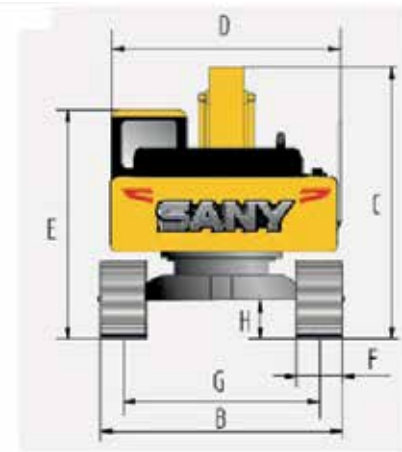
A	Transport Length	10290 mm
B	Transport Width	3190 mm
C	Transport Height	3255 mm
D	Upper Width	3045 mm
E	Tail Swing Radius	3105 mm
F	Min. Ground Clearance	470 mm

WORKING RANGE

a	Maximum Digging Height	9745 mm
b	Maximum Dumping Height	6715 mm
c	Maximum Digging Depth	6705 mm
d	Maximum Vertical Digging Depth	5675 mm
e	Maximum Digging Reach	10225 mm
f	Minimum Swing Radius	3800 mm
g	Height at min.swing radius	3915 mm

MACHINE PARAMETERS

Operating Weight	25500 kg
Engine Type	Cummins QSB6.7
Engine Max Power (Gross)	142 kW / 2000 rpm
Engine Max Torque	809/1500 N·m/rpm
Engine Displacement	6.7 L
Emission Standard	Tier 4 Final / EU Stage IVi
Swing Speed	10.6 rpm
Travel Speed	5.8/3.7 km/h
Fuel Tank Capacity	475 L
Hydraulic Tank Capacity	277 L
Engine Oil Capacity	24.7 L
Gradeability	35°
Bucket Digging Force	170 kN
Arm Digging Force	120 kN
Bucket Capacity	1.3 m ³
Boom Length	5900 mm
Arm Length	2900 mm
Track Gauge	2590 mm
Track Length	4245 mm



Not all products are available in all markets. Under our policy of continuous improvement, Sany reserve the right to change specifications and design without prior notice. The illustrations do not necessarily show the standard version of the machine.

SANY HEAVY MACHINERY (AUSTRALIA)

21 EFFICIENT DRIVE, TRUGANINA VIC 3029

PHONE 0400 724 483 WWW.SANYAUSTRALIA.COM.AU

